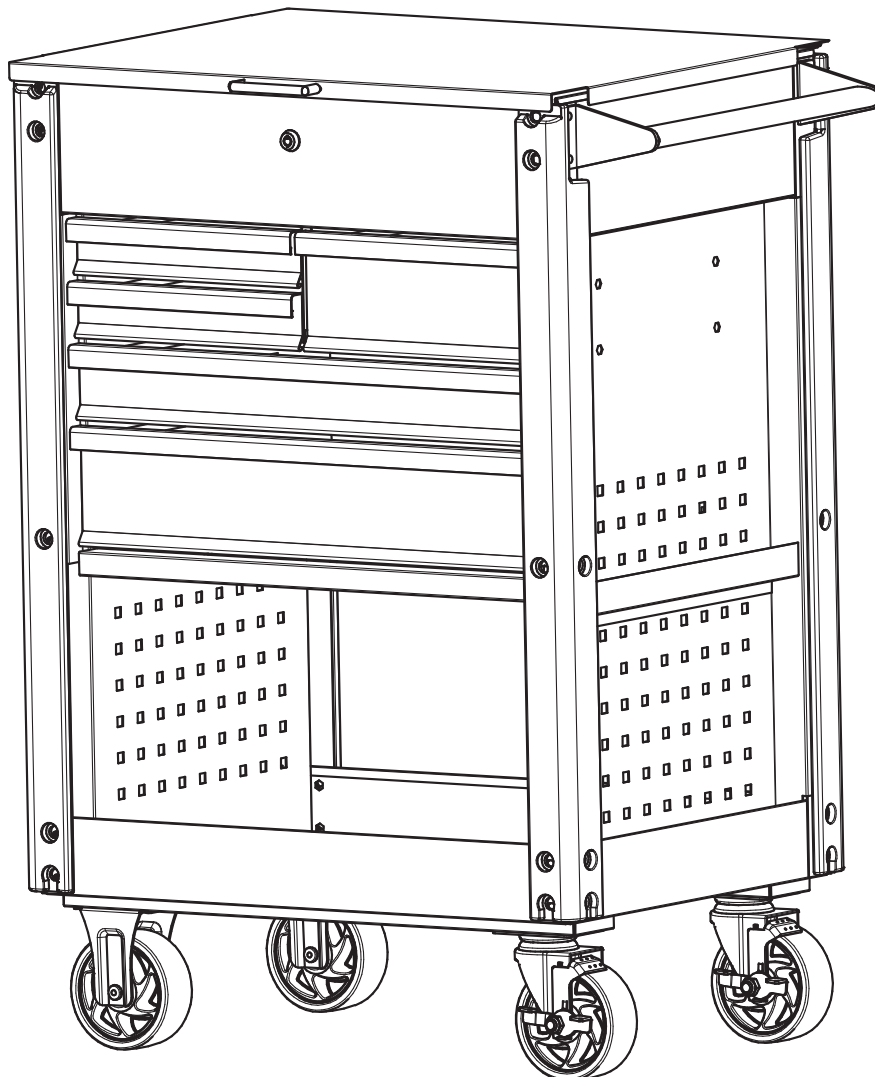




STCC260

***26" Heavy Duty 5 Drawer
Mechanics Tool Cart***



ASSEMBLY INSTRUCTION GUIDE

ROLLER CABINETS

•SIDE HANDLE ATTACHMENT: (Picture 1)

Side handle should be mounted on the same side of the cabinet as the swivel casters using M8X20 screws.

Tighten the screws with wrench.

•CASTER INSTALLATION: (Picture 2)

Lay cabinet down on its back. Use packaging material to protect the paint finish. Please mount both swivel casters on the same side of the Roller Cabinet as the side handle. Each caster uses four M8X20 screws.

•TO REMOVE DRAWERS: (Picture 3)

Pull drawer out until it is almost fully extended.

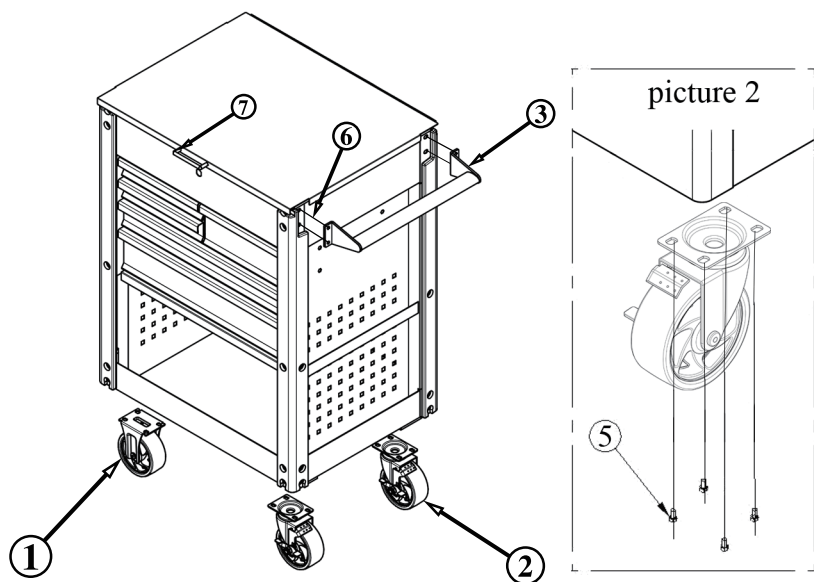
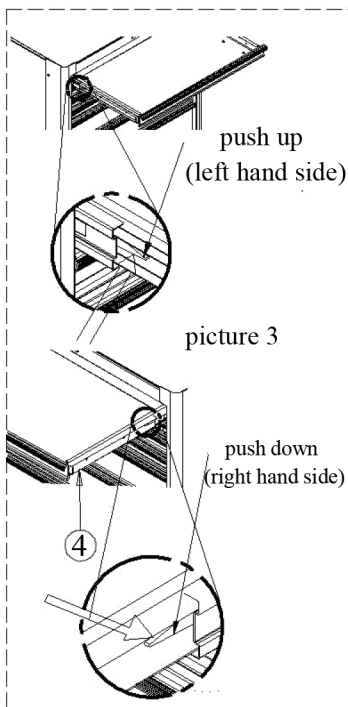
Push down on the right hand black release lever, while pulling up on the left hand black release lever.

Hold the levers in positions as instructed above, then pull the drawer outward until it is released from the drawer slide.

•TO REPLACE DRAWERS:

Extend the drawer slides from the cabinet.

Insert the brackets on each side of the drawer into the slots in the cabinet slides. (Be careful that the drawer brackets are in their proper position.) Once the drawer brackets are properly inserted, completely close the drawer to set the slides in their proper positions.



Picture 1

No.	Title	Quantity	No.	Title	Quantity
1	Fixed Caster	2	5	Bolt M8X20	16
2	Swivel Caster With Brake	2	6	Bolt M8X20	4
3	Side Handle	1	7	Bolt M4X6	2

4	Ball Bearin Slide	5			



1 West Side Park, Belmore Way, Raynesway, Derby, DE21 7AZ